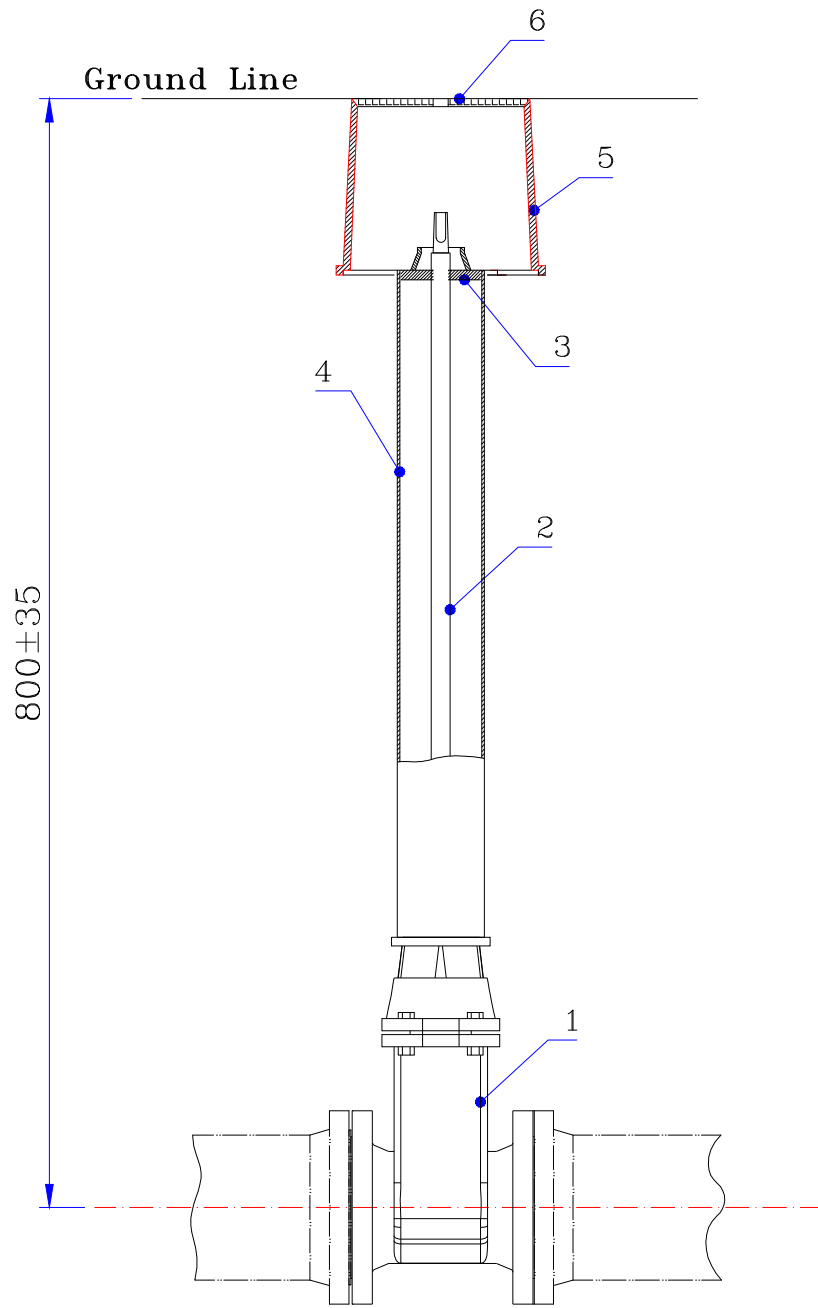


POST NONE INDICATOR VALVE



PAINTING:

FIRST LAYER: ZINC RICH EPOXY : 70 Mic ±10

INTER MEDIATE LAYER EPOXY : 120 Mic ±10

TOP COAT POLYURETHANE RED COLOR: 50 Mic ±10

RAL(3000)

No.	Part Name	MATERIAL
1	GATE VALVE 6"-ANSI#150-F.F	D.CAST IRON
2	STEM	S.STEEL 316
3	GUIDE	CARBON STEEL
4	PIPE	PLASTIC
5	MANHOLE	CAST IRON
6	COVER	CAST IRON

NOTE: POST NON INDICATOR VALVE Model TR-PNIV

96/11/17		A.Hajizadeh	Ashrafi	0
Date	Design	Drawn	Checked	REV.
Part Name: TOTAL		Drawing No: PNIV-001		
Material: As aside chart		PROJECT:		



I.T.E



TOL: DIN-7168m

Size: A4

Scale:

Sheet: 1 Of 1

QTY. :